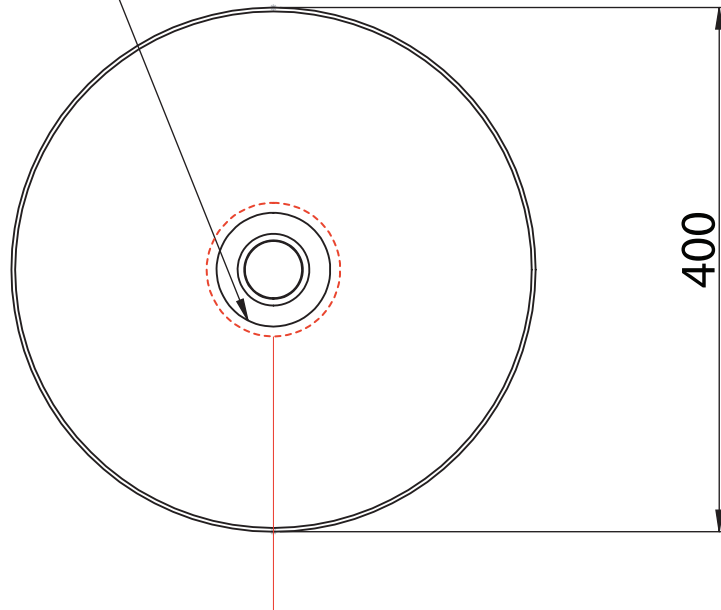
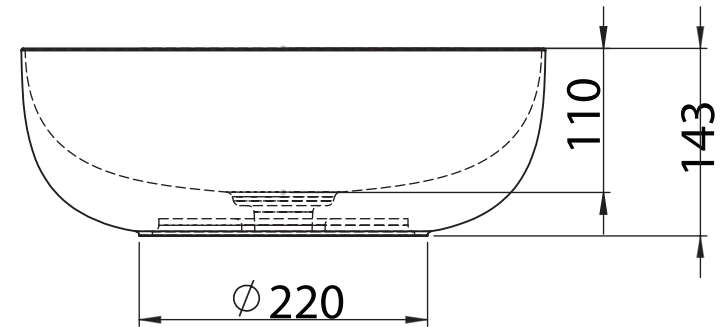


SEDE PER PILETTAIN  
CERAMICA

SEATFOR CERAMIC WASTE



foratura piano / hole on  
top min Ø 90 - MAX Ø120



AET

ART.  
L671

ELITE  
Round S

MATERIAL: FIRE-CLAY

REV. 06.04.2022