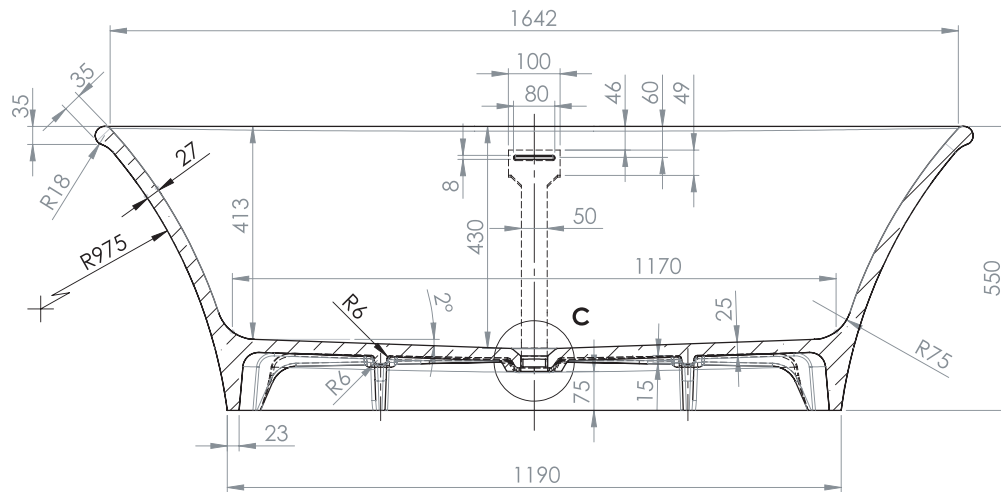
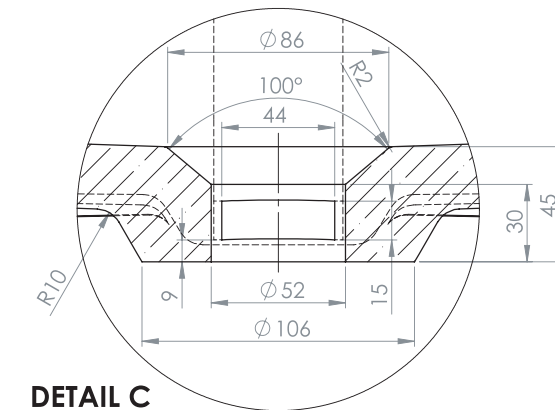


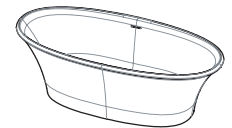
SECTION B-B



SECTION A-A



DETAIL C  
SCALE 1 : 2



## BOTTOM VIEW

