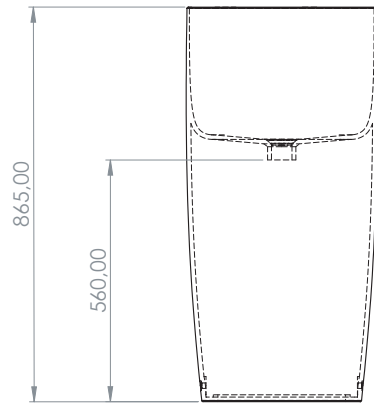


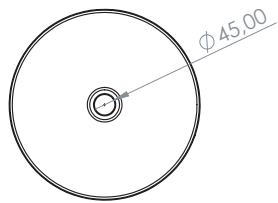
FRONT



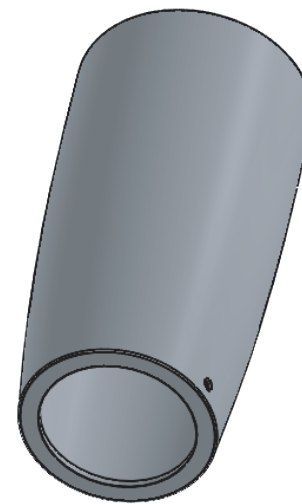
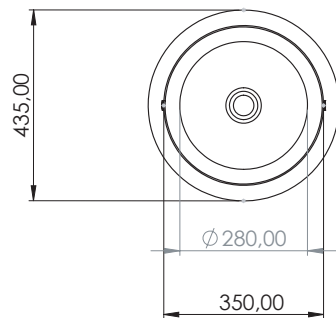
LEFT SIDE



UP



DOWN



AET

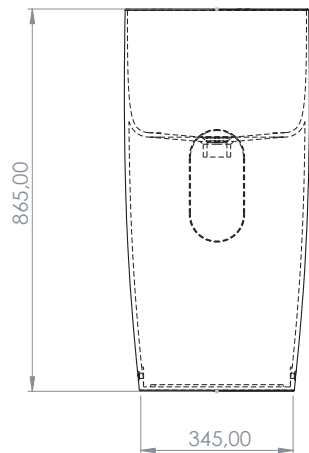
ART.  
L103

THIN  
Thin Pillar

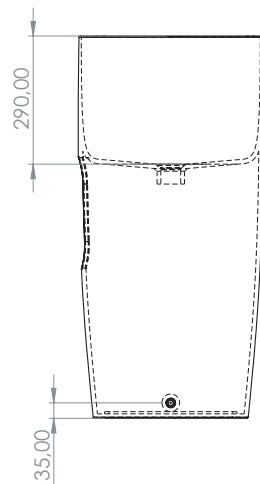
MATERIAL: FIRE-CLAY

REV. 19.10.2022

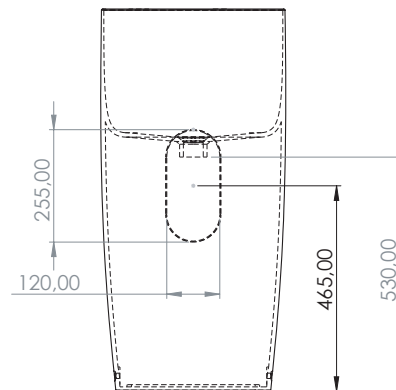
FRONT



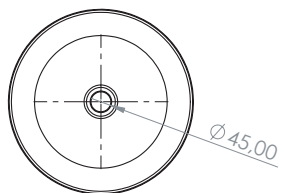
LEFT SIDE



BACK



UP



DOWN

