

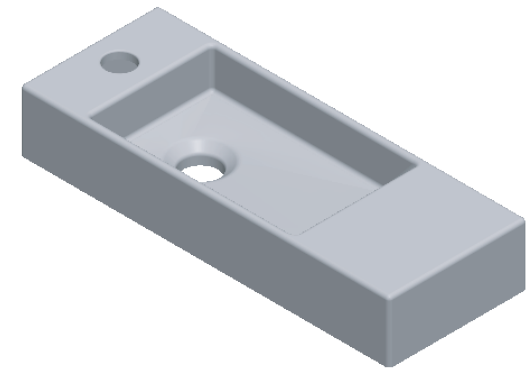
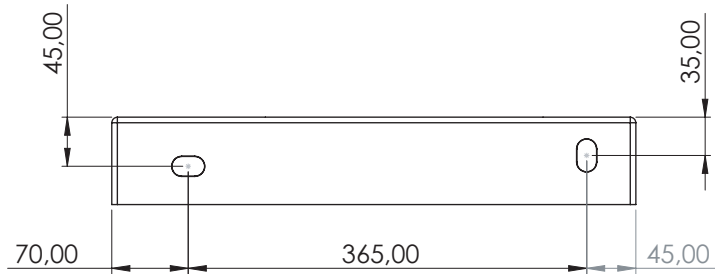
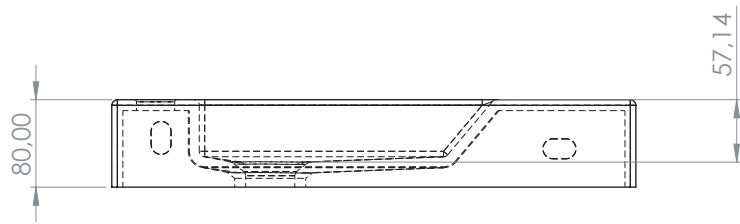
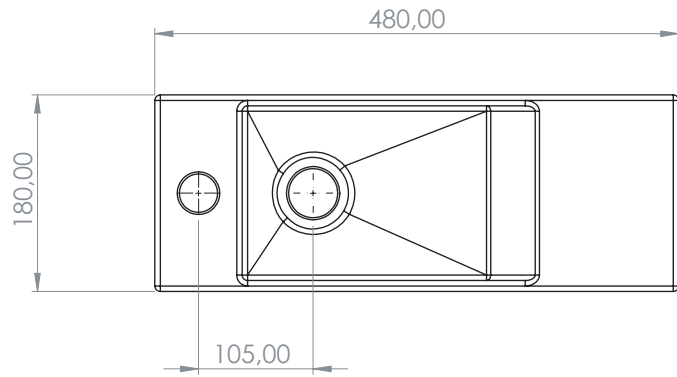
AET

ART.
L321

ACQUAFREDDA
Rettangolare plus

MATERIAL: FIRE-CLAY

REV. 15.10.2022



AET

ART.
L321V2

ACQUAFREDDA
Rettangolare plus

MATERIAL: FIRE-CLAY

REV. 15.10.2022