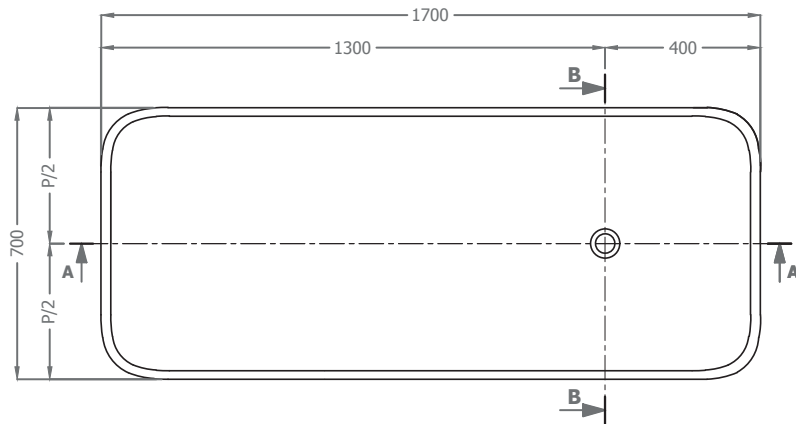
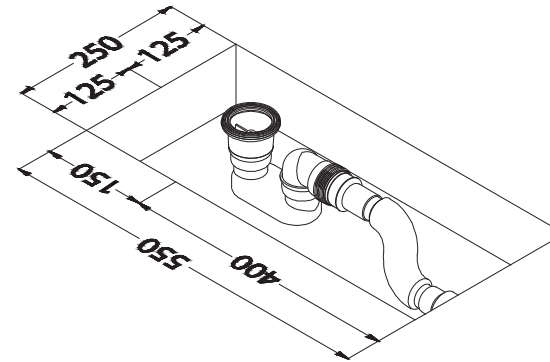
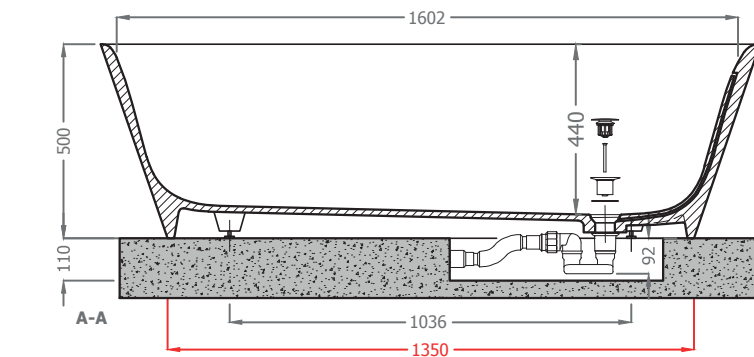
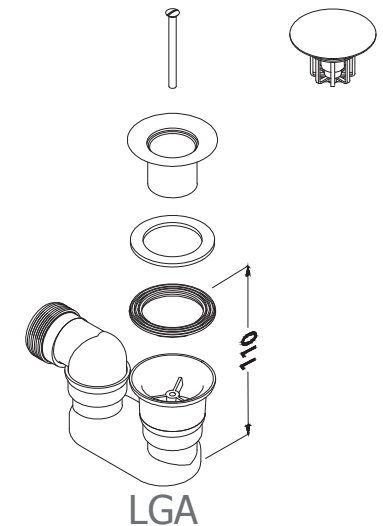


Pozzetto con sifone
Hole for siphon



Sifone
Siphon

Piletta
Waste



Capacità vasca fino al troppo pieno/ Capability bathtub at overflow level: ±278 l

Dimensione imballo/ Package dimensions: 1800 x 800 x 550

Dimensione bancale/ Pallet weight: 1800 x 800 x 130 x 20,0 Kg [cod.1016]

AET

ART.
DV225T2R0VL

SQUARE
Square bathtub (LATERAL DRAIN)

MATERIAL: GEACRIL
TECNORIL
DEIMOS

REV. 15.10.2020