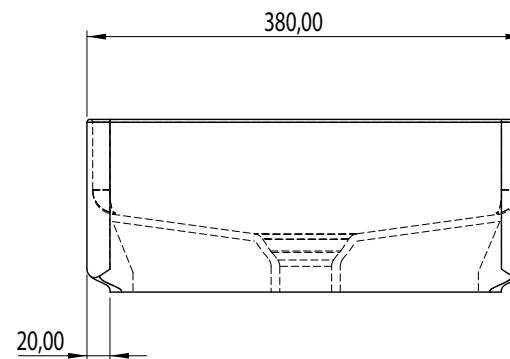
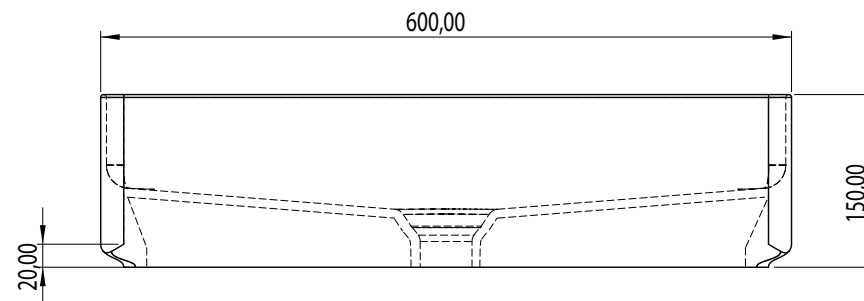


Ø 90-120
HOLE FOR TOP



**predisposizione piletta in ceramica*
**predisposition for ceramic waste*

AET

ART.
L620

FLY
Fly Rectangular 60

MATERIAL: FIRE-CLAY

REV. 30.05.2020